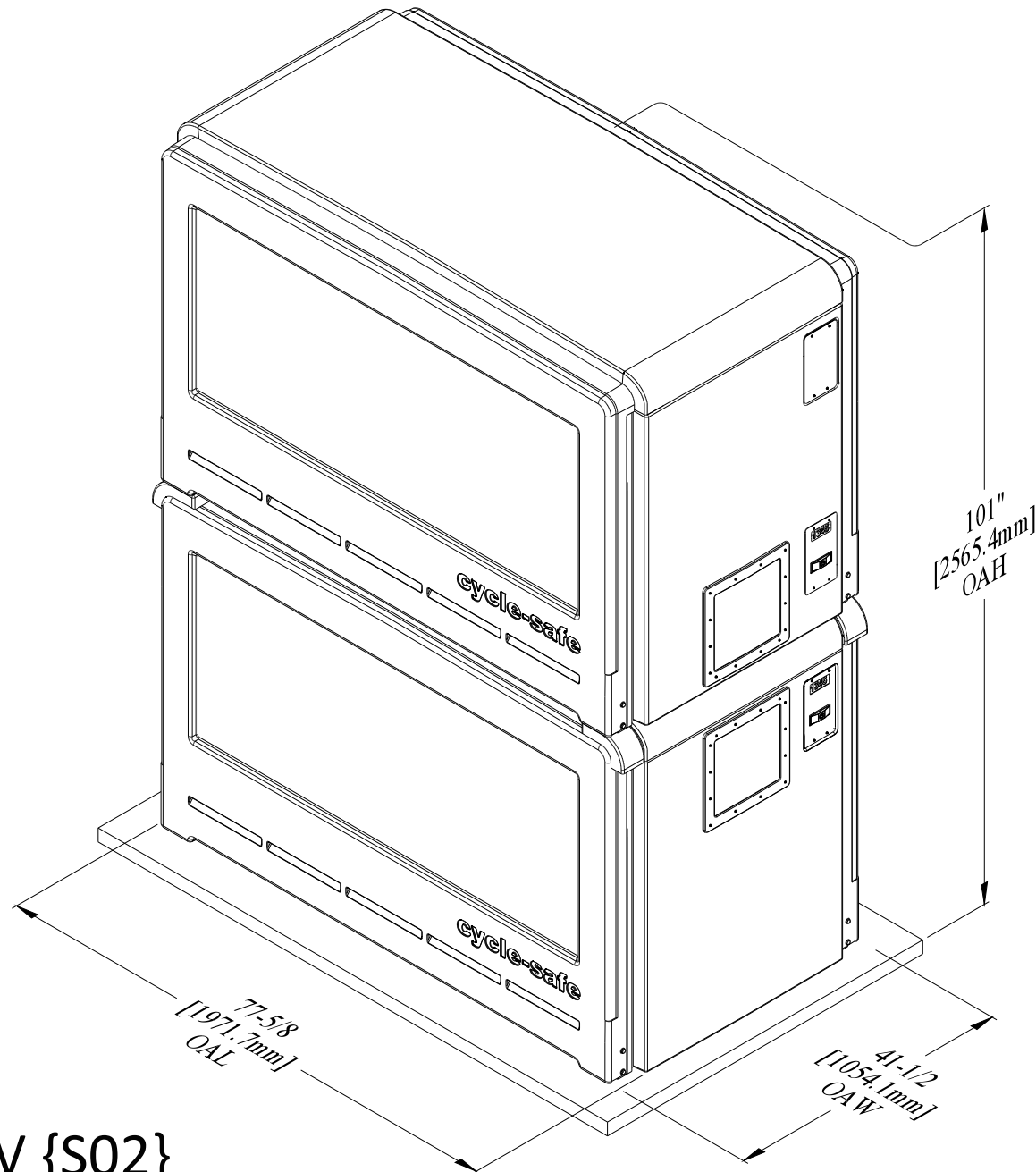
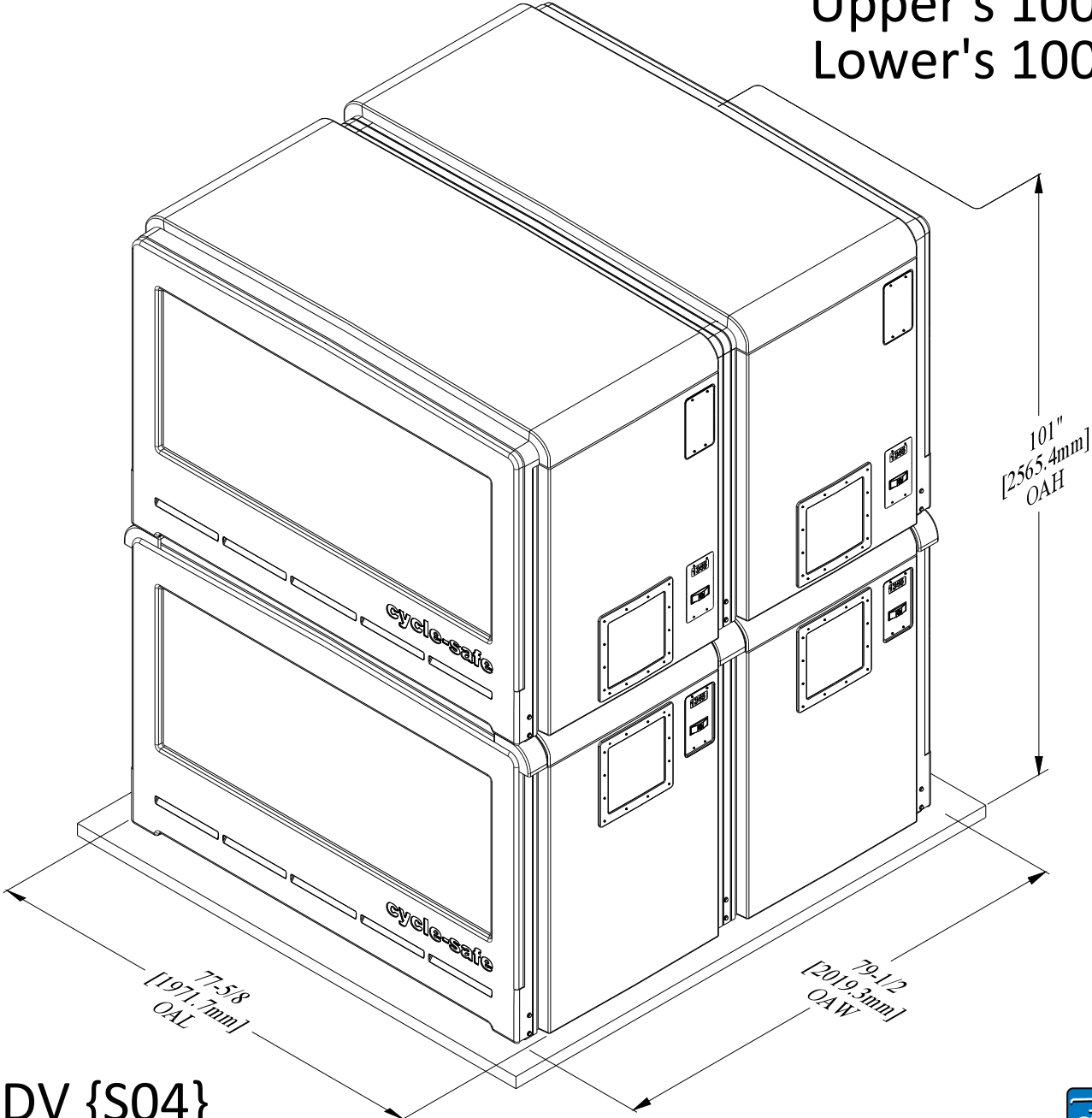


Upper #10037
Lower #10018



ProPark DT/DV {S02}
{2-Tier} Door-View Locker {Dims}

Upper's 10037 & 10038
Lower's 10018 & 10020

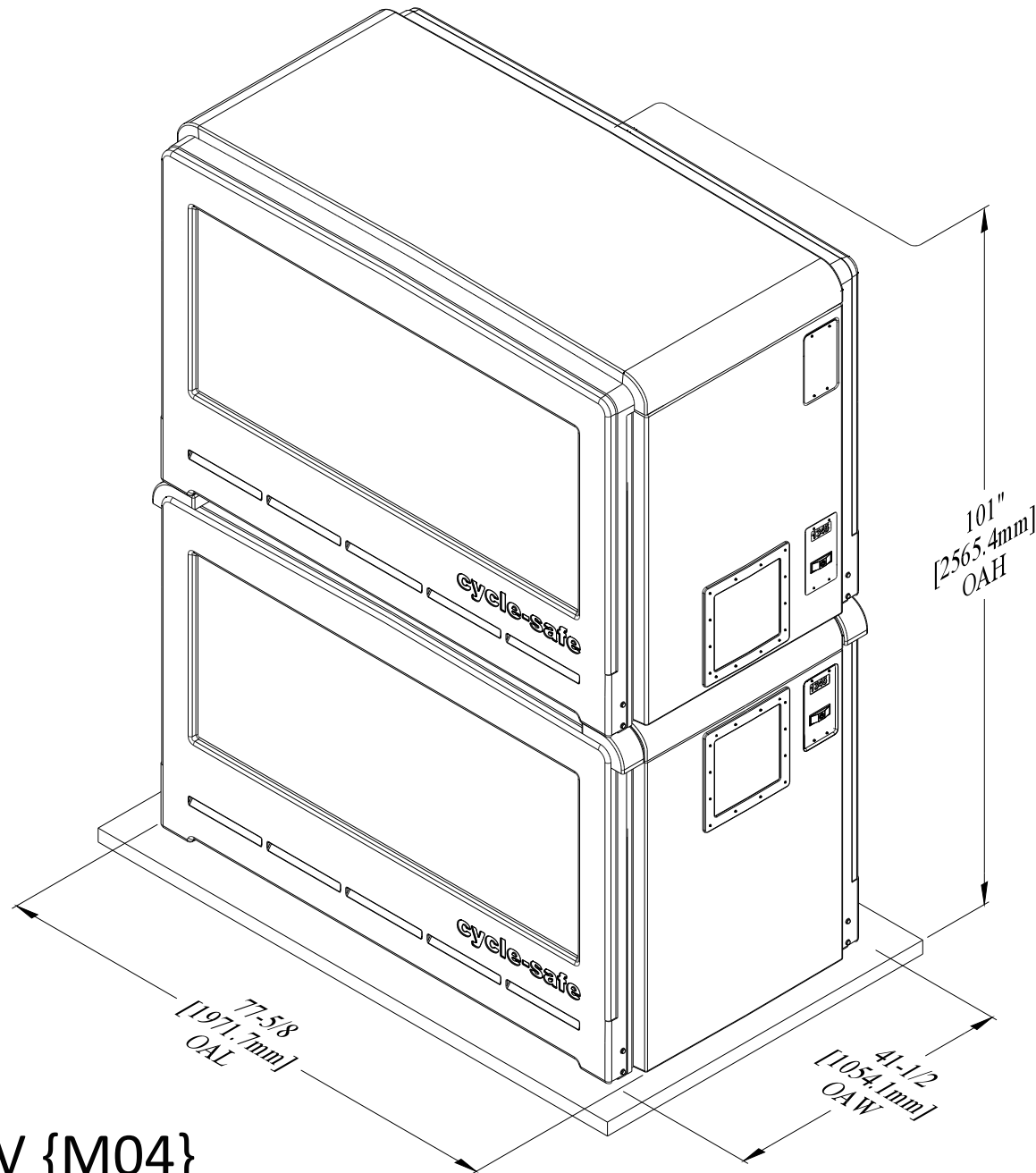


ProPark DT/DV {S04}
{2-Tier} Door-View Locker {Dims}



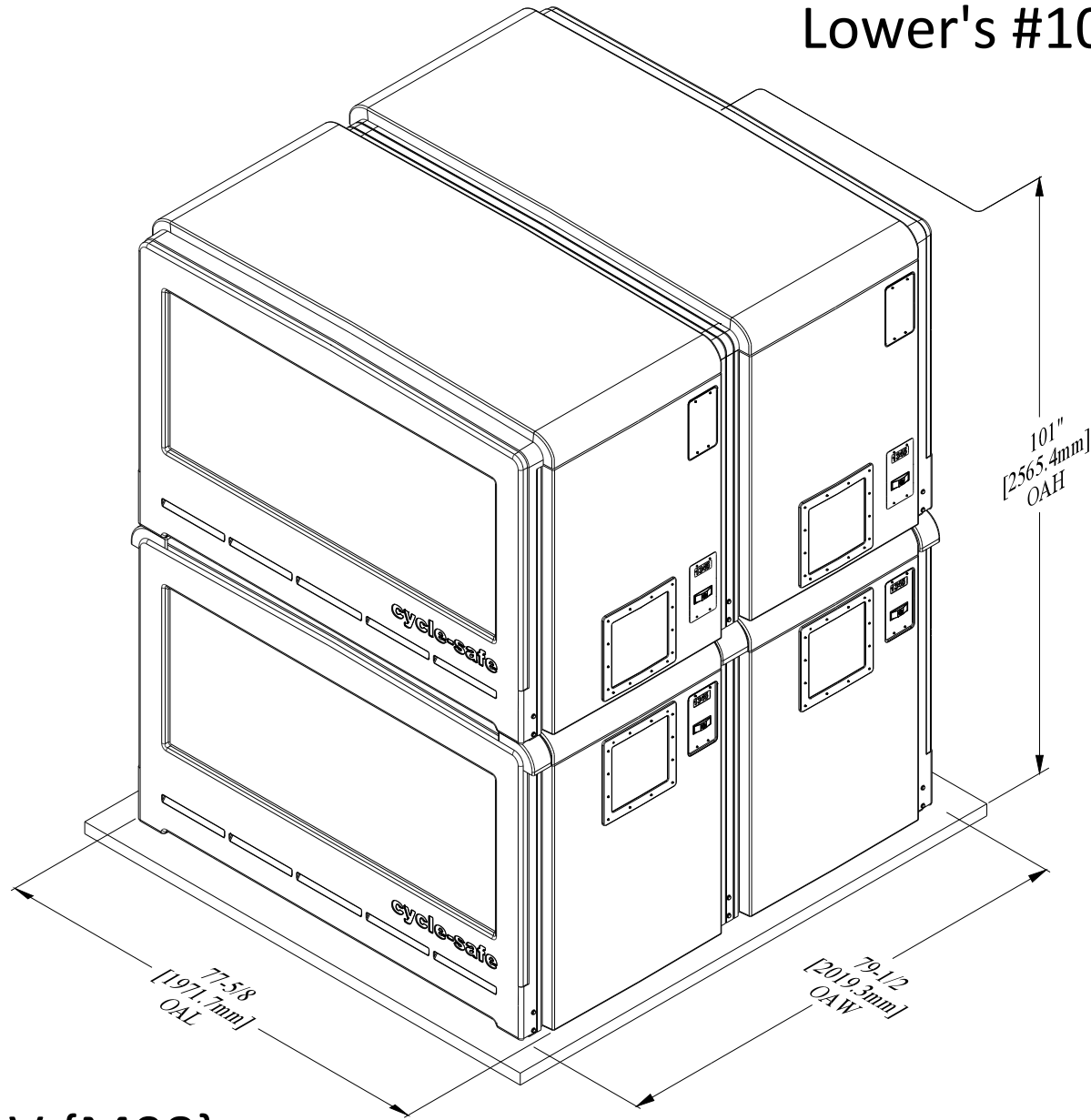
www.cyclesafe.com

Upper #10004
Lower #10003



ProPark DT/DV {M04}
{2-Tier} Door-View Locker {Dims}

Upper's #10004 & 10053
Lower's #10003 & 10052



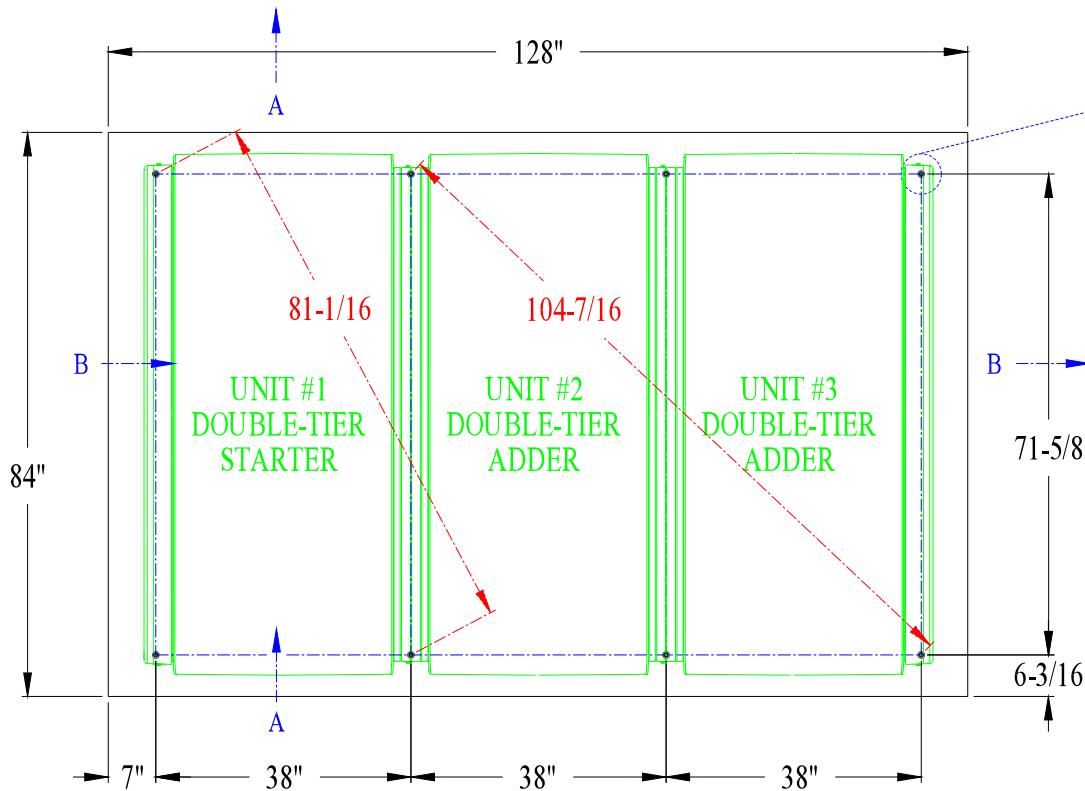
ProPark DT/DV {M08}
{2-Tier} Door-View Locker {Dims}

NOTE:

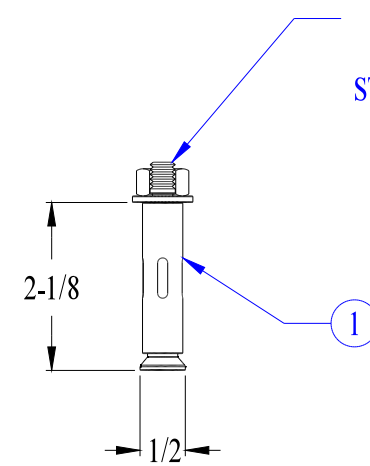
INCLINE ANGLES

A. DOOR-TO-DOOR INCLINE TO BE NO MORE THAN 1 ° SLANT

B. BANKING SIDE-TO-SIDE TO BE NO MORE THAN 2 ° SLANT



①
P/N 10211
3/8" \varnothing CONCRETE
EXPANSION ANCHOR
(4) PER STARTER UNIT
(2) PER ADDER UNIT

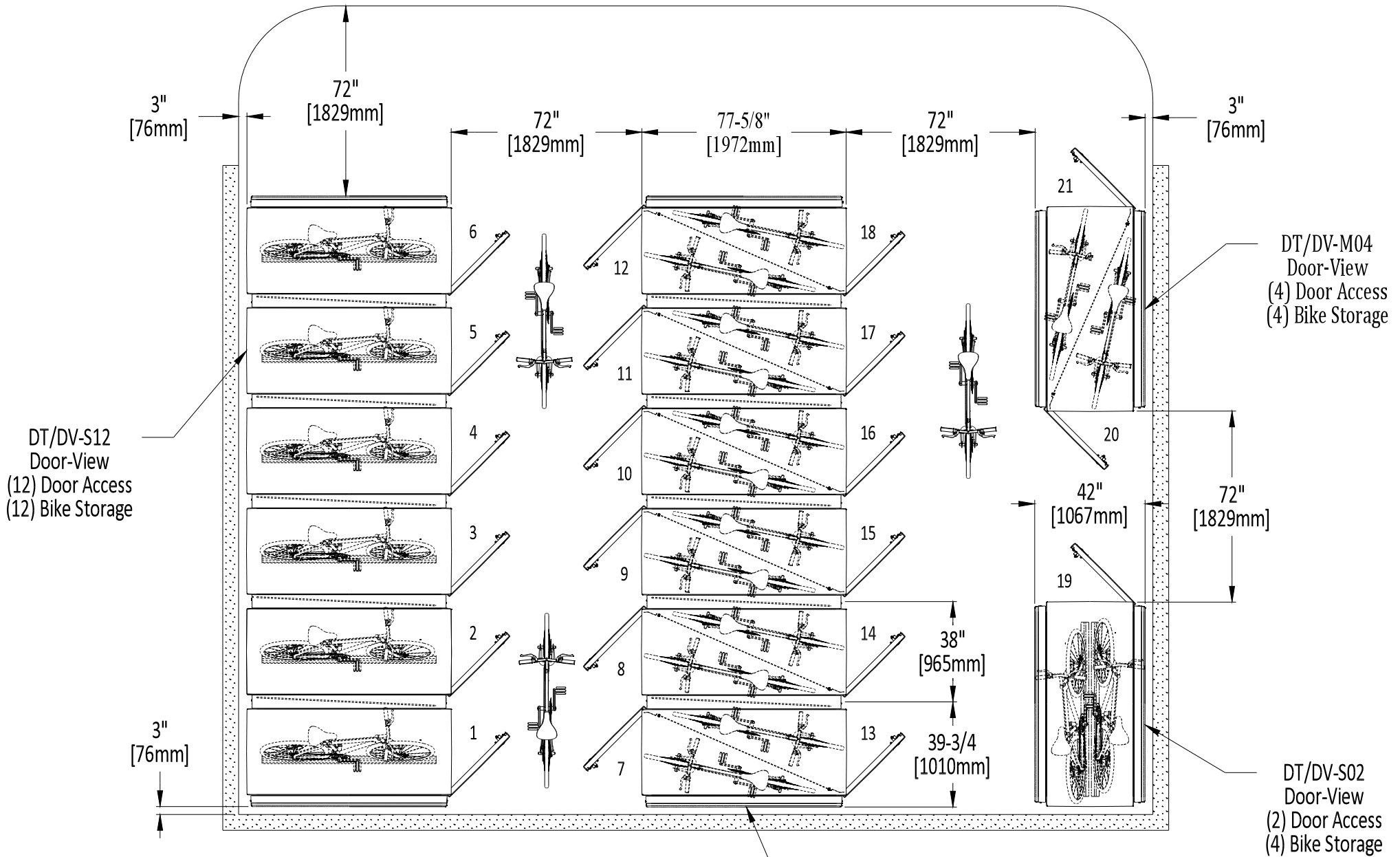


3/8-16NC
THREADED
STUD & HEX NUT

ProPark DT {M12} Lockers Anchor Placement Locations



www.cyclesafe.com



CycleSafe {ProPark} Double-Tier Locker Clearance & Capacities



www.cyclesafe.com